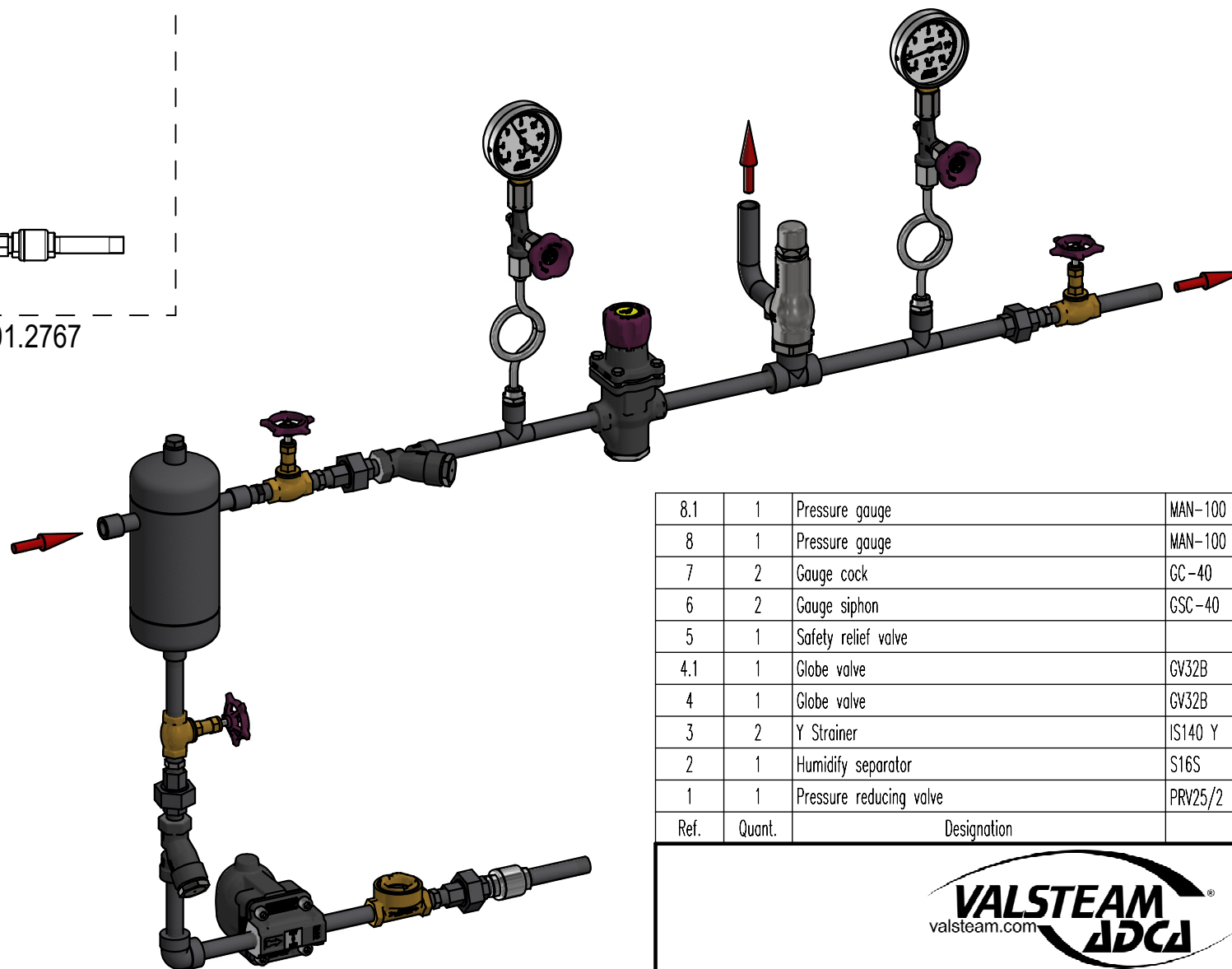


Steam trap installation see ADCR.01.2767



8.1	1	Pressure gauge	MAN-100		
8	1	Pressure gauge	MAN-100		
7	2	Gauge cock	GC-40		
6	2	Gauge siphon	GSC-40		
5	1	Safety relief valve			
4.1	1	Globe valve	GV32B		
4	1	Globe valve	GV32B		
3	2	Y Strainer	IS140 Y		
2	1	Humidify separator	S16S		
1	1	Pressure reducing valve	PRV25/2		
Ref.	Quant.	Designation	Model	Size	Drawing request



Description
PRESSURE REDUCING VALVE STATION
 PRV25/2 Series

Proc. O.490
 Des.Nº.
ADCR.01.2172
 Rev.: 02 Em: 22.06.22
 Page: 1 de 1