

**LINEAR PNEUMATIC ACTUATORS  
PA  
(100 cm<sup>2</sup> to 2400 cm<sup>2</sup>)**

**DESCRIPTION**

PA series pneumatic multi-spring actuators with rolling diaphragm, offering decreased hysteresis and good linearity throughout the operating range. Available in air to close and air to open versions, for modulating and on/off services.

**MAIN FEATURES**

Multi-spring compact design.  
Actuators with rolling diaphragm.  
High spring thrusts and stroking speeds.  
Strokes up to 60 mm.  
Sizes from 100 cm<sup>2</sup> to 2400 cm<sup>2</sup>.  
Yoke and stem coupling with mounting according to NAMUR (DIN IEC 60534-6-1).  
Operation temperature range from -20 °C to 80 °C.

**OPTIONS AND**

**ACCESSORIES:** Top mounted handwheel.  
Stroke limiter.  
Stainless steel construction.  
Positioners, limit switches, I/P converters,  
volume boosters, feedback units and others.

**USE:** Actuation of ADCATrol control valves, or others  
on request.

**AVAILABLE**

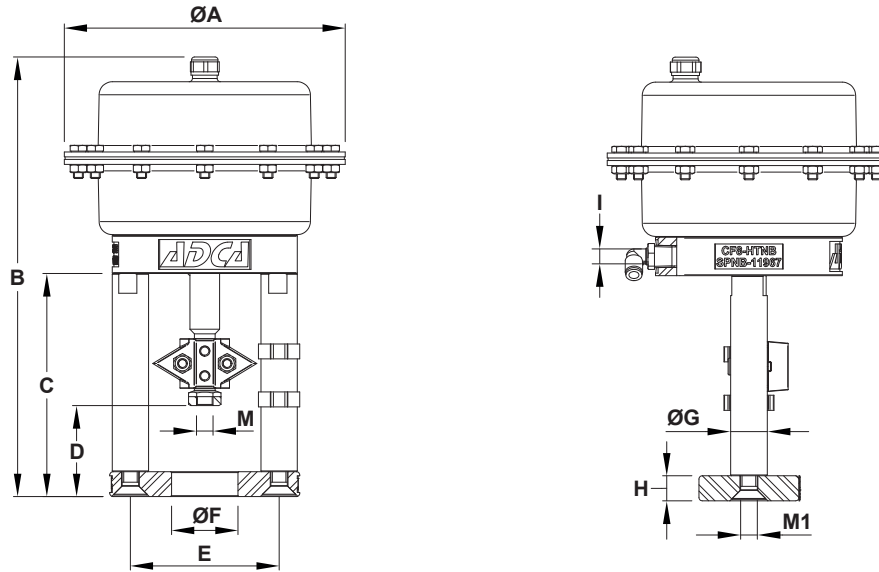
**MODELS:** PA10, PA25, PA40, PA80, PA80D and PA80T –  
mild steel.  
PA10i, PA25i and PA40i – stainless steel.



SPRING RANGES AND ACTUATOR THRUSTS

ACTUATOR MODEL	DIAPHRAGM AREA (cm <sup>2</sup> )	RATED STROKE (mm)	SPRING RANGE (bar)	SPRING QTY.	SPRING FORCE AT 0 mm TRAVEL (N)	SPRING FORCE AT RATED TRAVEL (N)	ACTUATOR FORCE (N) IN RELATION TO MOTIVE AIR PRESSURE (bar)						MAX. AIR SUPPLY (bar)	
							1,4	2	3	3,5	4	5		6
PA10	100	20	0,2 - 1 a)	1	200	1000	400	1000	2000	2500	3000	4000	5000	6
			1 - 2	1	1000	2000	-	-	1000	1500	2000	3000	4000	
			2 - 4	1	2000	4000	-	-	-	-	-	1000	2000	
PA25	250	20	0,2 - 1 a)	4	500	2500	1000	2500	5000	6250	7500	10000	12500	
			0,4 - 2 a)	8	1000	5000	-	-	2500	3750	5000	7500	10000	
			1 - 2	4	2500	5000	-	-	2500	3750	5000	7500	10000	
			1,5 - 3	6	3750	7500	-	-	-	1250	2500	5000	7500	
			2 - 4	8	5000	10000	-	-	-	-	-	2500	5000	
PA40	400	30	0,2 - 1 a)	4	800	4000	1600	4000	8000	10000	12000	16000	20000	
			0,4 - 2 a)	8	1600	8000	-	-	4000	6000	8000	12000	16000	
			1 - 2	4	4000	8000	-	-	4000	6000	8000	12000	16000	
			1,5 - 3	6	6000	12000	-	-	-	2000	4000	8000	12000	
			2 - 4	8	8000	16000	-	-	-	-	-	4000	8000	
PA80	800	30 60	0,2 - 1 a)	4	1600	8000	3200	8000	16000	20000	24000	32000	40000	
			0,4 - 2 a)	8	3200	16000	-	-	8000	12000	16000	24000	32000	
			1 - 2	4	8000	16000	-	-	8000	12000	16000	24000	32000	
			1,5 - 3	6	12000	24000	-	-	-	4000	8000	16000	24000	
			2 - 4	8	16000	32000	-	-	-	-	-	8000	16000	
PA80D	1600	60	0,2 - 1 a)	8	3200	16000	6400	16000	32000	40000	48000	64000	80000	
			0,4 - 2 a)	16	6400	32000	-	-	16000	24000	32000	48000	64000	
			1 - 2	8	16000	32000	-	-	16000	24000	32000	48000	64000	
			1,5 - 3	12	24000	48000	-	-	-	8000	16000	32000	48000	
			2 - 4	16	32000	64000	-	-	-	-	-	16000	32000	
PA80T b)	2400	60	0,2 - 1 a)	12	4800	24000	9600	24000	48000	60000	72000	96000	120000	
			0,4 - 2 a)	24	9600	48000	-	-	24000	36000	48000	72000	96000	
			1 - 2	12	24000	48000	-	-	24000	36000	48000	72000	96000	
			1,5 - 3	18	36000	72000	-	-	-	12000	24000	48000	72000	
			2 - 4	24	48000	96000	-	-	-	-	-	24000	48000	

a) Actuator with 25% additional possible spring compression, allowing setting of 0,4 - 1,2 bar (0,2 - 1 bar) and 0,8 - 2,4 (0,4 - 2 bar) operating ranges.

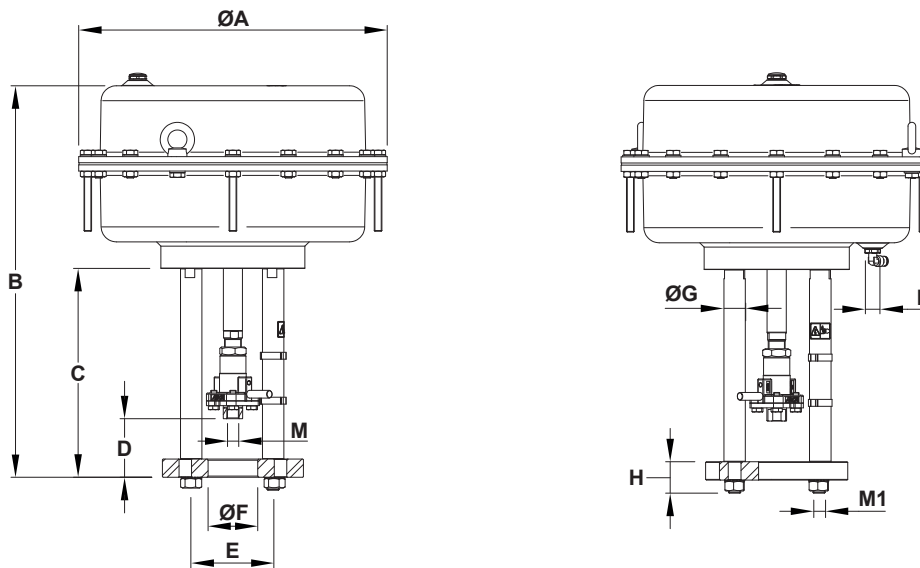


DIMENSIONS (mm)												
MODEL	ØA	B	C	D	E	ØF	ØG	H	I	M *	M1	WEIGHT (kg)
PA10	170	251	135	55	90	40,5	22	15	G1/4"	M10 x 1	M10	6,3
PA25	250	260	135	55	90	40,5	22	15	G1/4"	M10 x 1	M10	10,1
PA40	300	325 / 360	160 / 195	68	100 / 110	40,5 / 45	22	15	G1/4"	M10 x 1 / M16 x 1,5	M10	18,7 / 19,2

\* Depending on valve stem thread. Can be course or fine thread. Other dimensions on request.

Remarks: Stem coupling, yoke dimensions and design may vary depending on the ADCATrol control valve model. Refer to its corresponding information sheet or consult the manufacturer.

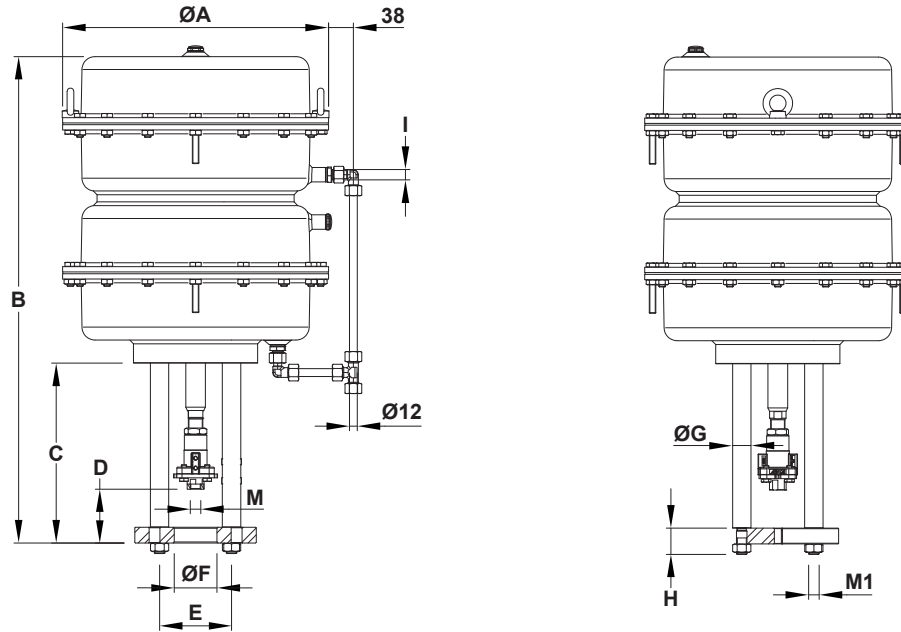
Mild steel and stainless steel construction share the same dimensions.



DIMENSIONS (mm)												
MODEL	ØA	B	C	D	E	ØF	ØG	H	I	M *	M1	WEIGHT (kg)
PA80	405	505 / 515 / 545	265 / 274 / 304	70 / 87 / 113	110 / Ø155	45 / 65 / 80	22 / 28	30 / 40	G 3/8"	M16 x 1,5 / M27 x 1,5	M16	50,4 / 55,4 / 59,3

\* Depending on valve stem thread. Can be course or fine thread. Other dimensions on request.

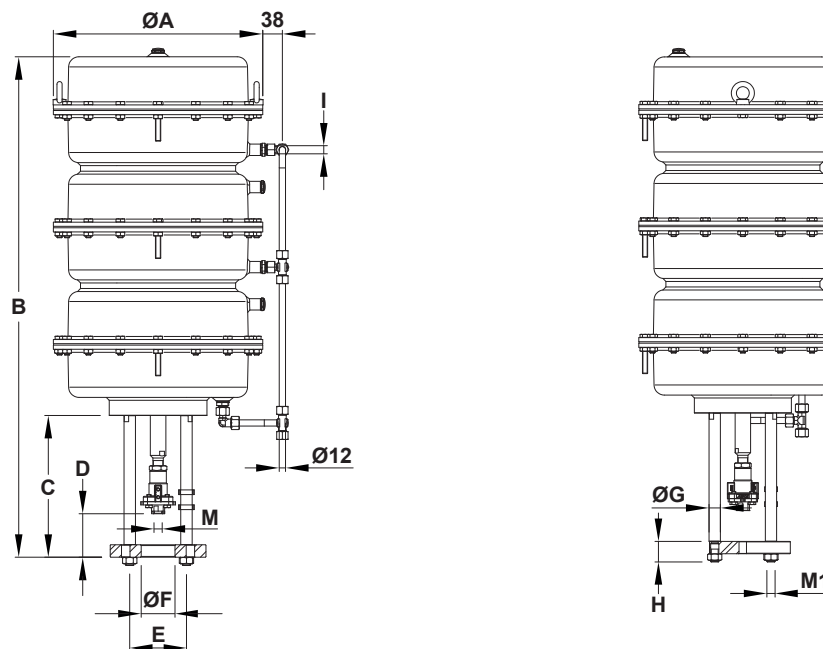
Remarks: Stem coupling, yoke dimensions and design may vary depending on the ADCATrol control valve model. Refer to its corresponding information sheet or consult the manufacturer.



DIMENSIONS (mm)												
MODEL	ØA	B	C	D	ØE	ØF	ØG	H	I	M *	M1	WEIGHT (kg)
PA80D	405	741 / 771	274 / 304	87 / 113	155	65 / 80	28	40	G 3/8"	M16 x 1,5 / M27 x 1,5	M16	107,7 / 111,6

\* Depending on valve stem thread. Can be course or fine thread. Other dimensions on request.

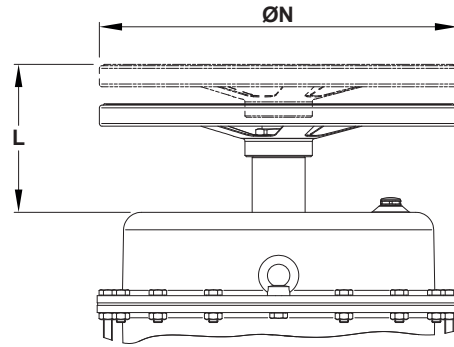
Remarks: Stem coupling, yoke dimensions and design may vary depending on the ADCATrol control valve model. Refer to its corresponding information sheet or consult the manufacturer.



DIMENSIONS (mm)												
MODEL	ØA	B	C	D	ØE	ØF	ØG	H	I	M *	M1	WEIGHT (kg)
PA80T	405	967 / 997	274 / 304	87 / 113	155	65 / 80	28	40	G 3/8"	M16 x 1,5 / M27 x 1,5	M16	162 / 166

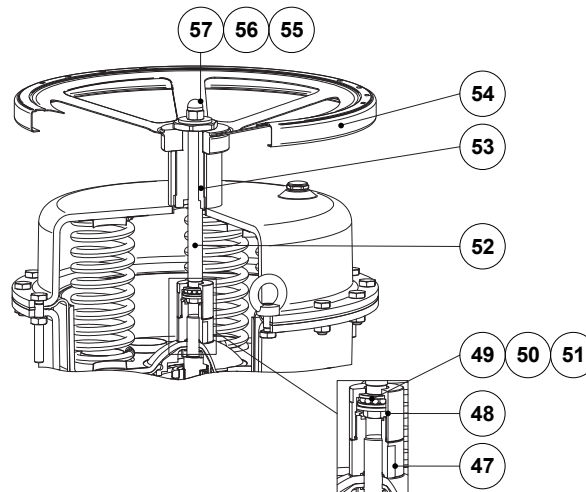
\* Depending on valve stem thread. Can be course or fine thread. Other dimensions on request.

Remarks: Stem coupling, yoke dimensions and design may vary depending on the ADCATrol control valve model. Refer to its corresponding information sheet or consult the manufacturer.



**DIMENSIONS – ACTUATOR WITH TOP MOUNTED HANDWHEEL (mm)**

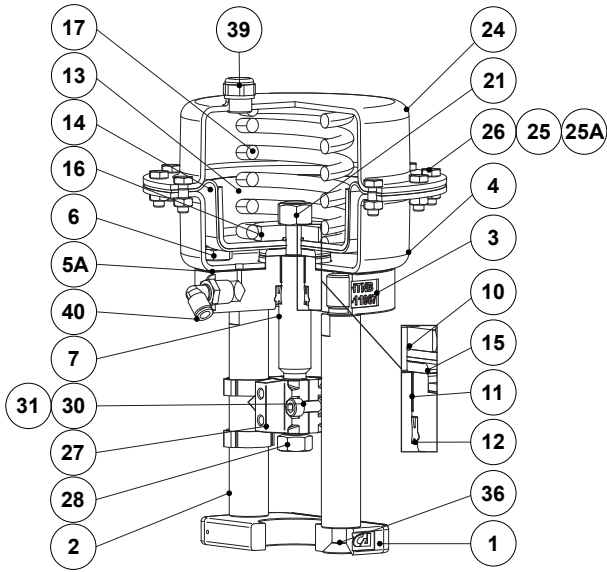
MODEL	$\varnothing N$	L
PA10	250	106
PA25	250	106
PA40	300	111
PA80	400	156
PA80D / PA80T	Consult manufacturer	



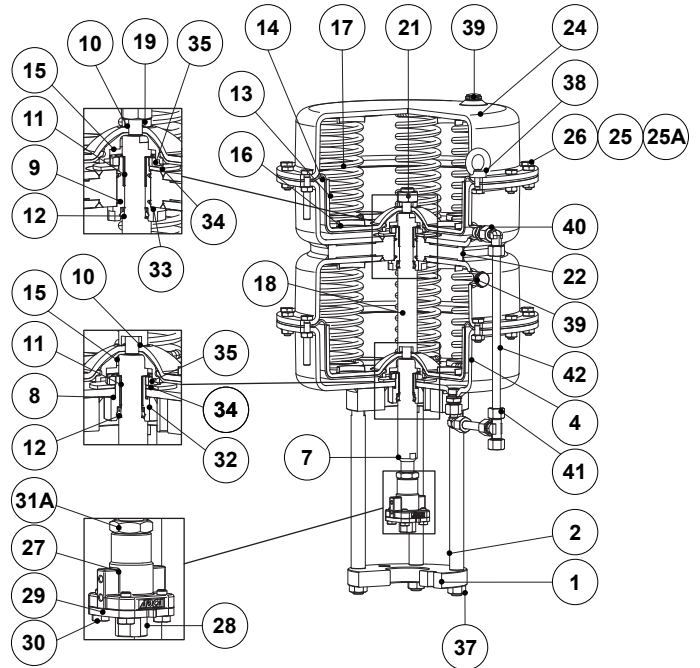
**MATERIALS – ACTUATOR WITH TOP MOUNTED HANDWHEEL**

POS. N°	DESIGNATION	MATERIAL
47	Nut	AISI 316 / 1.4401
48	Nut	AISI 316 / 1.4401
49	Plain bearing	Steel / PTFE
50	Washer	Zinc plated steel
51	Bolt	AISI 304 / 1.4301
52	Stem	AISI 316 / 1.4401
53	Spindle	AISI 304 / 1.4301
54	Handwheel	Steel
55	Washer	Zinc plated steel
56	Locknut	C45E / 1.1191
57	Nut	AISI 304 / 1.4301

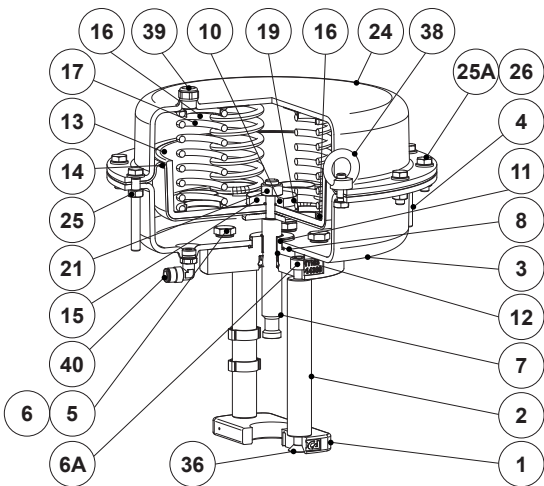
MATERIALS



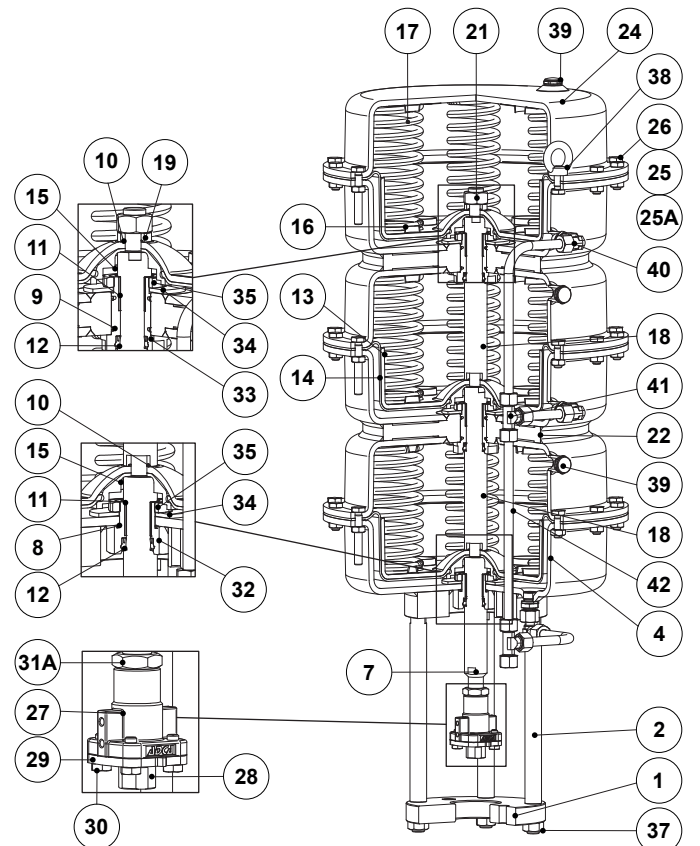
PA10



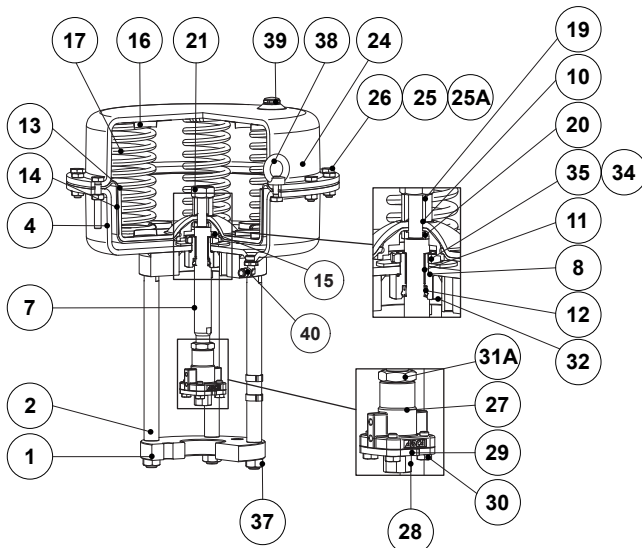
PA80D



PA25 and PA40



PA80T



PA80

**MATERIALS**

POS. N°	DESIGNATION	PA10, PA25 and PA40	PA10i, PA25i and PA40i
1	Lower actuator flange	A351 CF8 / 1.4308	A351 CF8 / 1.4308
2	Yoke columns	C45E / 1.1191	AISI 304 / 1.4301
3	Upper actuator flange	A351 CF8 / 1.4308	A351 CF8 / 1.4308
4	Lower actuator cover	DD13 / 1.0335	AISI 304 / 1.4301
5	Washers	Zinc plated steel	Zinc plated steel
5A	Gasket	NBR	NBR
6	Bolts	Zinc plated steel	Stainless steel A2-70
6A	Bolts	–	–
7	Actuator stem	AISI 316 / 1.4401	AISI 316 / 1.4401
8	* O-ring	NBR	NBR
10	* O-ring	NBR	NBR
11	* Plain bearing	Steel / PTFE	Steel / PTFE
12	* Seal ring	Polyurethane	Polyurethane
13	Diaphragm plate	DD13 / 1.0335	DD13 / 1.0335
14	* Diaphragm	Reinforced NBR	Reinforced NBR
15	Diaphragm disk	C45E / 1.1191	C45E / 1.1191
16	Spring guide	AISI 304 / 1.4301	AISI 304 / 1.4301
17	* Springs	Spring steel	Spring steel
19	Spacer	AISI 316 / 1.4401	AISI 312 / 1.4401
21	Nut	Zinc plated steel	Zinc plated steel
24	Upper actuator cover	DD13 / 1.0335	AISI 304 / 1.4301
25	Nuts	Zinc plated steel	Stainless steel A2-70
25A	Washers	Zinc plated steel	Stainless steel A2-70
26	Bolts	Zinc plated steel	Stainless steel A2-70
27	Coupling / Travel indicator	A351 CF8 / 1.4308	A351 CF8 / 1.4308
28	Adaptor	AISI 304 / 1.4301	AISI 304 / 1.4301
30	Bolts	Zinc plated steel	Stainless steel A2-70
31	Nuts	Zinc plated steel	Stainless steel A2-70
36	Bolts	Zinc plated steel	Stainless steel A2-70
38	Eyebolts	Zinc plated steel	AISI 304 / 1.4301
39	Vent plug	Brass; Plastic	Brass; Plastic
40	Fitting	Zinc plated steel; Plastic	Zinc plated steel; Plastic

\* Available spare parts.







**MATERIALS**

POS. N°	DESIGNATION	PA80	PA80D	PA80T
1	Lower actuator flange	S235JR / 1.0038	S235JR / 1.0038	S235JR / 1.0038
2	Yoke columns	C45E / 1.1191	C45E / 1.1191	C45E / 1.1191
4	Lower actuator cover	DD13 / 1.0335	DD13 / 1.0335	DD13 / 1.0335
7	Actuator stem	AISI 316 / 1.4401	AISI 316 / 1.4401	AISI 316 / 1.4401
8	* O-ring	NBR	NBR	NBR
9	* O-ring	–	NBR	NBR
10	* O-ring	NBR	NBR	NBR
11	* Plain bearing	Steel / PTFE	Steel / PTFE	Steel / PTFE
12	* Seal ring	Polyurethane	Polyurethane	Polyurethane
13	Diaphragm plate	DD13 / 1.0335	DD13 / 1.0335	DD13 / 1.0335
14	* Diaphragm	Reinforced NBR	Reinforced NBR	Reinforced NBR
15	Diaphragm disk	S355JR / 1.0045	S355JR / 1.0045	S355JR / 1.0045
16	Spring guide	DC01 / 1.0330	DC01 / 1.0330	DC01 / 1.0330
17	* Springs	Spring steel	Spring steel	Spring steel
18	Intermediate actuator stem	–	AISI 316 / 1.4401	AISI 316 / 1.4401
19	Spacer	AISI 316 / 1.4401	AISI 316 / 1.4401	AISI 316 / 1.4401
20	Spacer	AISI 316 / 1.4401	–	–
21	Nut	Zinc plated steel	Zinc plated steel	Zinc plated steel
22	Intermediate cover	–	DD13 / 1.0335	DD13 / 1.0335
24	Upper actuator cover	DD13 / 1.0335	DD13 / 1.0335	DD13 / 1.0335
25	Nuts	Zinc plated steel	Zinc plated steel	Zinc plated steel
25A	Washers	Zinc plated steel	Zinc plated steel	Zinc plated steel
26	Bolts	Zinc plated steel	Zinc plated steel	Zinc plated steel
27	Coupling / Travel indicator	A351 CF8 / 1.4308	A351 CF8 / 1.4308	A351 CF8 / 1.4308
28	Adaptor	AISI 304 / 1.4301	AISI 304 / 1.4301	AISI 304 / 1.4301
29	Coupling flange	AISI 304 / 1.4301	AISI 304 / 1.4301	AISI 304 / 1.4301
30	Bolts	Zinc plated steel	Zinc plated steel	Zinc plated steel
31A	Nut	Zinc plated steel	Zinc plated steel	Zinc plated steel
32	* Stem guide	AISI 316L / 1.4404	AISI 316L / 1.4404	AISI 316L / 1.4404
33	Intermediate stem guide	–	AISI 316L / 1.4404	AISI 316L / 1.4404
34	* Belleville washer	Spring steel	Spring steel	Spring steel
35	Stem guide lock nut	C45E / 1.1191	C45E / 1.1191	C45E / 1.1191
37	Nuts	Zinc plated steel	Zinc plated steel	Zinc plated steel
38	Eyebolts	Zinc plated steel	Zinc plated steel	Zinc plated steel
39	Vent plug	Brass; Plastic	Brass; Plastic	Brass; Plastic
40	Fitting	Zinc plated steel	Zinc plated steel	Zinc plated steel
41	Compression fitting	–	Zinc plated steel	Zinc plated steel
42	Tube	–	AISI 304 / 1.4301	AISI 304 / 1.4301

\* Available spare parts.



ACCESSORIES

<p>AIR FILTER REGULATOR</p> 	<p>SOLENOID VALVE</p> 
<p>INDUCTIVE LIMIT SWITCH BOX</p> 	<p>MECHANICAL LIMIT SWITCHES</p> 
<p>POSITION FEEDBACK UNIT</p> 	<p>I/P CONVERTER</p> 

POSITIONERS \*

<p>PNEUMATIC</p> 	<p>ELECTROPNEUMATIC</p> 	<p>INTELLIGENT ELECTROPNEUMATIC</p> 
--	---	---

\* Different models are available within each category.

ORDERING CODES PA										
Group designation	PA	010	S	R	2	A	XX	A1		
PA series linear pneumatic actuators	PA									
Actuator model										
PA10 (100 cm <sup>2</sup> )		010								
PA25 (250 cm <sup>2</sup> )		025								
PA40 (400 cm <sup>2</sup> )		040								
PA80 (800 cm <sup>2</sup> )		080								
PA80D (1600 cm <sup>2</sup> )		80D								
PA80T (2400 cm <sup>2</sup> )		80T								
Actuator construction										
Mild steel construction (standard)			S							
Stainless steel construction			I							
Direction of action										
Air to open (stem extends by spring force)				R						
Air to close (stem retracts by spring force)				D						
Rated stroke										
20 mm					2					
30 mm					3					
60 mm					6					
Spring range a)										
0,2 – 1 bar						A				
0,4 – 2 bar						B				
1 – 2 bar						D				
1,5 – 3 bar						G				
2 – 4 bar						I				
Options										
None							XX			
Top mounted handwheel b)							HX			
Stroke limiter							LX			
Yoke design and coupling										
ADCATrol VPC26, V16/2, V25/2 and V303 series (DN 15 to DN 50 – 1/2" to 2")										A1
ADCAPure V926H, V926A (1/2" to 2 1/2") and V928 series (DN 15 to DN 50)										A3
ADCATrol V16/2 series (DN 65 to DN 100 – 2 1/2" to 4")										B1
ADCATrol V25/2 and V303 series (DN 65 to DN 100 – 2 1/2" to 4")										B2
ADCAPure V926H (3" and 4") and V928 series (DN 65 to DN 100)										B3
ADCATrol V25/2 series (DN 125 to DN 150 – 5" to 6")										C2
ADCATrol V25/2 series (DN 200 – 8")										D2
Other ADCATrol valves c)										XX
Special versions / Extras										
Full description or additional codes have to be added in case of a non-standard combination										E

a) Not every spring range/stroke combination is available for each actuator model.

b) Not available in actuators with stainless steel construction (e.g. PA10i).

c) Exact model and size must be specified – consult the manufacturer.

How to size: For selection of suitable actuator to use with ADCATrol control valves, consult IS PV15.00 – Maximum permissible pressure drops for ADCATrol control valves – or consult the manufacturer.